

LXXG(R)-50~300(mm)

Horizontal vane wheel, dry-dial cold (hot) water meter

This type of water meter can be used for a remote reading transmission system as equipped with a built-in sensor.



Application

--Measuring the volume of cold (hot) water passing through the pipeline

Feature:

- Removable element structure, easy installation and maintenance;
- Dry-dial, Magnetic drive;
- Large flow capacity, small pressure loss;
- Resist water hammer and pollution;
- Vacuum sealed register ensures the dial keep free from condensation and keep the reading clear in a long term service;
- Selected high quality materials for steady and reliable characteristic;
- Technical data conform to international standard ISO 4064.
- For ISO 4064 new standard, the Range Ratio of Q3/Q1 could be R50.
- For register performance,it could be applied with glass/brass sealed to prevent fogging.
- All meters would be pre-equipped with reed switch.

Working condition

Water temperature: 0.1℃~40℃ (0.1℃~90℃ for hot water meter)

Water pressure: ≤1.0Mpa (1.6MPa on request)

Maximum permissible errors

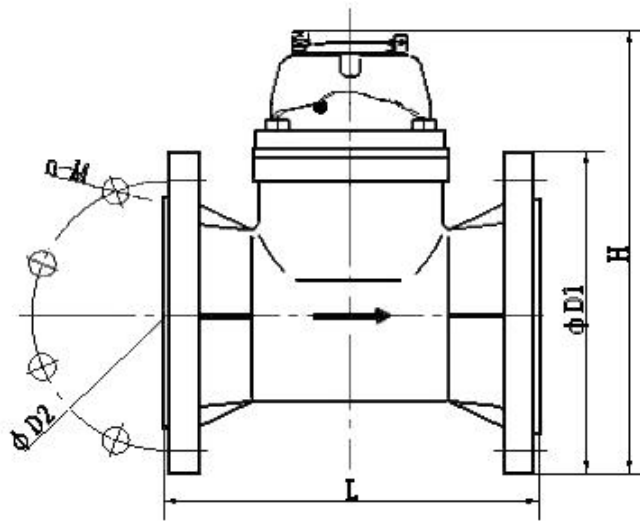
- (1) in the lower zone from q_{min} inclusive up to but excluding q_t is $\pm 5\%$
- (2) in the upper zone from q_t inclusive up to and including q_s is $\pm 2\%$ ($\pm 3\%$ for hot water meter)

MAIN TECHNICAL SPECIFICATIONS FOR COLD WATER

Type	Size (mm)	Class	q _s	q _p	q _t	q _{min}	Min. Reading	Max. Reading
			Overload Flow	Permanent Flow	Transitional Flow	Min. Flow		
			m ³ /h				m ³	
LXXG-50	50	A	30	15	4.5	1.2	0.0002	999,999
LXXG-65	65	A	50	25	7.5	2.0	0.002	999,999
LXXG-80	80	A	80	40	12	3.2	0.002	999,999
LXXG-100	100	A	120	60	18	4.8	0.002	999,999
LXXG-125	125	A	200	100	30	8	0.002	999,999
LXXG-150	150	A	300	150	45	12	0.002	999,999
LXXG-200	200	A	500	250	75	20	0.002	999,999
LXXG-250	250	A	800	400	120	32	0.02	9,999,999
LXXG-300	300	A	1200	600	180	48	0.02	9,999,999

DIMENSIONS

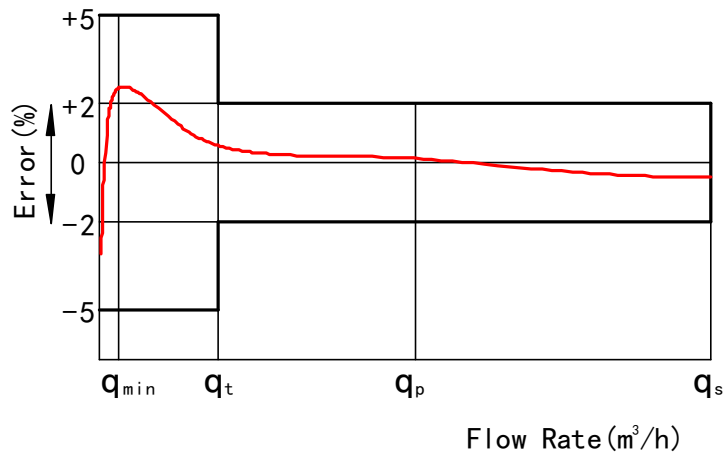
Type	Size	L Length	H Height	Connecting flange		
				φ D1 Outside diameter	φ D2 Bolt circle diameter	Connecting Bolts (n-M)
	mm					
LXXG-50	50	200	253	165	125	4-M16
LXXG-65	65	200	268	185	145	4-M16
LXXG-80	80	225	284	200	160	8-M16
LXXG-100	100	250	295	220	180	8-M16
LXXG-125	125	250	310	250	210	8-M16
LXXG-150	150	300	339	285	240	8-M20
LXXG-200	200	350	382	340	295	8-M20(1.0MPa)
						12-M20(1.6MPa)
LXXG-250	250	400	433	395	350	12-M20(1.0MPa)
		450	438	405	355	12-M24(1.6MPa)
LXXG-300	300	450	483	445	400	12-M20(1.0MPa)
		500	488	460	410	12-M24(1.6MPa)



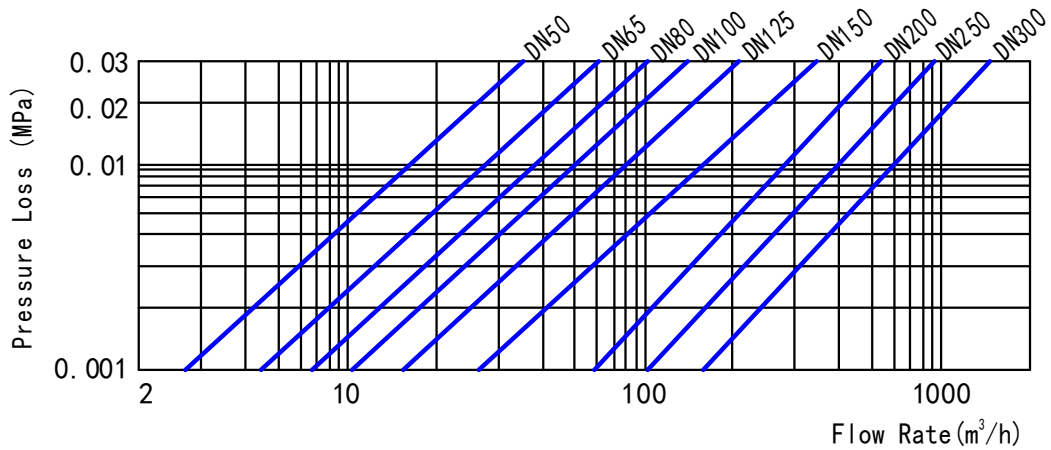
NOTE: The flange is also accepted.

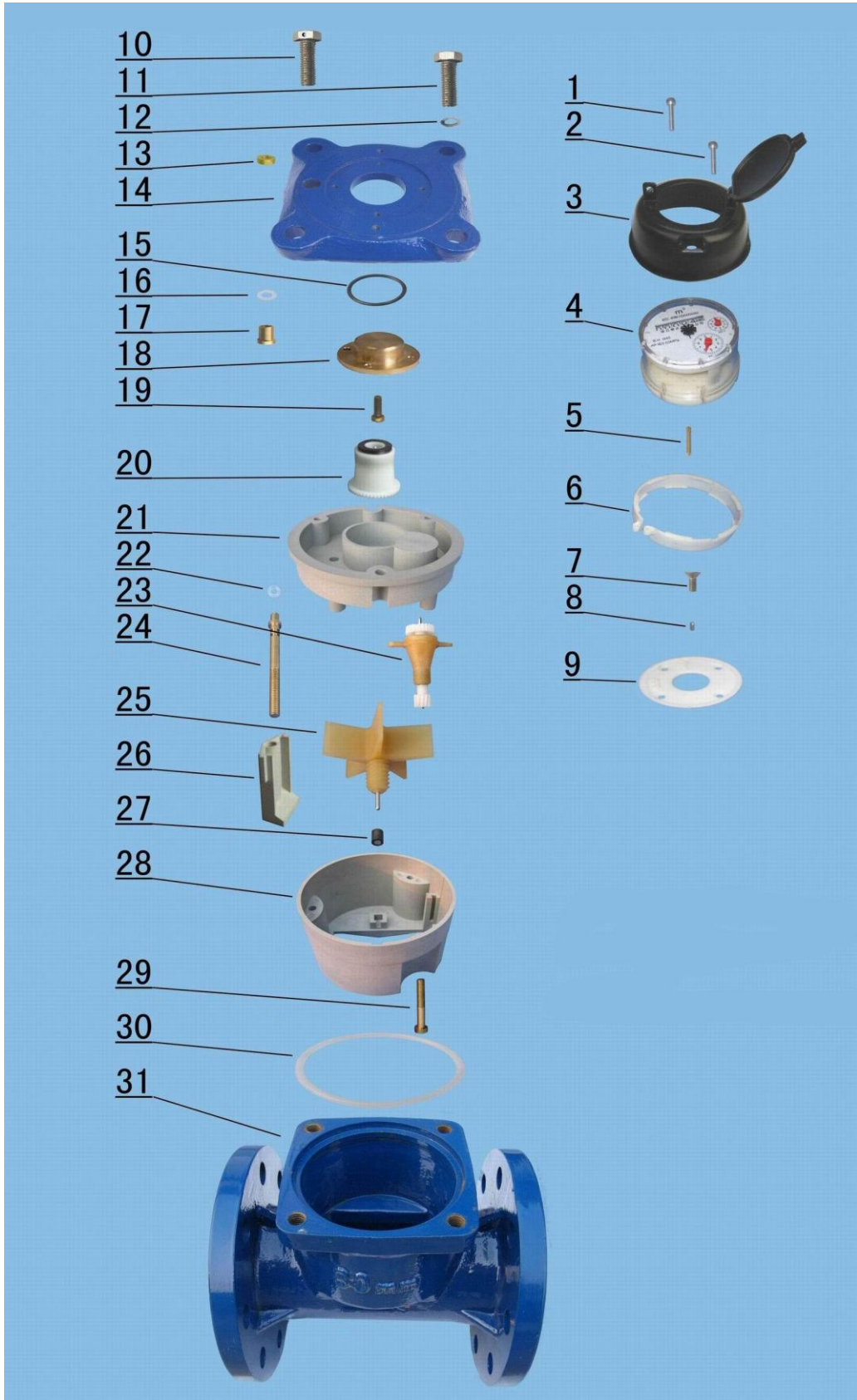
products of special requirements

Flow Error Curve



Pressure Loss Curve







LIANYUNGANG TENG YUE ELECTRONIC TECHNOLOGY CO.,LTD

15 XINLONG ROAD,HAIZHOU ECONOMIC DEVELOPMENT ZONE,LIANYUNGANG,JIANGSU,CHINA

LXXG-50~300 HORIZONTAL VANE WHEEL, DRY-DIAL COLD WATER METER

Code	Description	Material	QTY
1	Screw M5×45 For Sealing	Stainless Steel	1
2	Screw M5×45	Stainless Steel	1
3	Cover With Lid	Assembly	1
4	Sealed Register	Assembly	1
5	Fixing pin	Brass	1
6	Retainer Ring	ABS	1
7	Screw	Brass	4
8	Pin	Stainless Steel	1
9	Support	ABS	1
10	Bolt For Sealing	Stainless Steel	2
11	Bolt M12×35	Stainless Steel	2
12	Gasket	Stainless Steel	4
13	Adjusting Nut	Brass	1
14	Flange Plate	Cast Iron	1
15	O-ring	Silicon Rubber	1
16	O-ring	Silicon Rubber	1
17	Bush For Adjustment	Brass	1
18	Upper Bearing Plate	Brass	1
19	Screw	Brass	4
20	Lower Central Gear	Component	1
21	Cover Plate	MPPO	1
22	O-ring For Adjustment	Rubber	2
23	Transmission Gear Component	Assembly	1
24	Adjusting Lever	Brass	1
25	Turbine	Component	1
26	Adjusting Plate	MPPO	1
27	Bush with Agate	Nylon with Graphite	1
28	Measuring Chamber	MPPO	1
29	Fixing Screw	Brass	3
30	O-ring	Rubber	1
31	Body	Cast Iron	1